

Dec. 10. 1940.

A. G. ROSA

2,224,162

LETTER OPENER

Original Filed Sept. 22, 1937

FIG. 1.

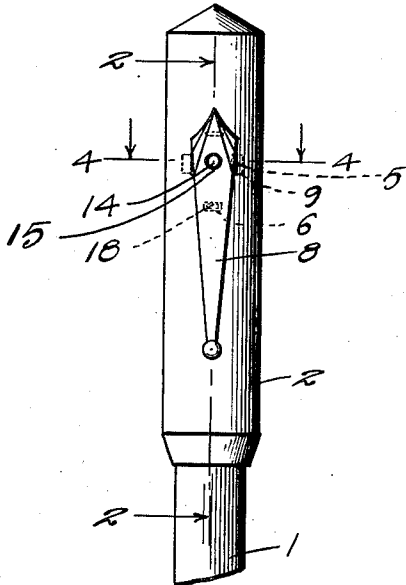


FIG. 2.

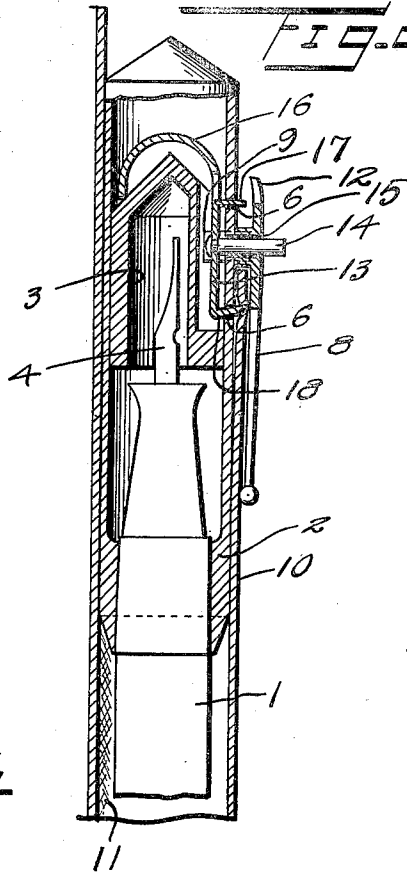


FIG. 3.

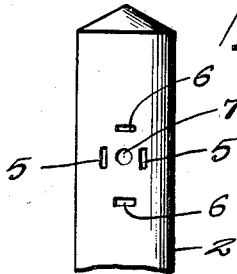


FIG. 4.

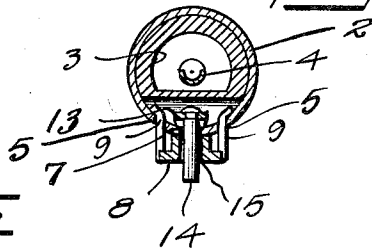
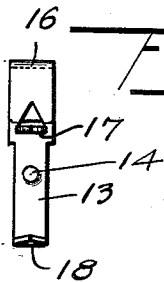


FIG. 5.



A. G. Rosa

INVENTOR.

BY Victor J. Evans & Co.

ATTORNEYS

UNITED STATES PATENT OFFICE

2,224,162

LETTER OPENER

Anthony G. Rosa, Lyndhurst, N. J.

Application September 22, 1937, Serial No. 165,203
Renewed March 7, 1940

6 Claims. (Cl. 120—35)

This invention relates to a combination clip lock and envelope opener, and has for the primary object the provision of an efficient and inexpensive device of this character which may be readily adapted to a pen or pencil and which will provide a positive securing means for a pen or pencil in a person's pocket and also includes means for easy and quick opening of an envelope, said means and the releasing of the device from a person's pocket being actuated by a single operating means.

With these and other objects in view, this invention consists in certain novel features of construction, combination and arrangement of parts to be hereinafter more fully described and claimed.

For a complete understanding of my invention, reference is to be had to the following description and accompanying drawing, in which

Figure 1 is a fragmentary side elevation illustrating a pen equipped with a combination clip lock and envelope opener constructed in accordance with my invention.

Figure 2 is a sectional view taken on the line 2—2 of Figure 1.

Figure 3 is a fragmentary side elevation illustrating the pen cap prior to the installing of the clip lock and envelope opener thereto.

Figure 4 is a sectional view taken on the line 4—4 of Figure 1.

Figure 5 is a plan view illustrating a clip lock and envelope opener.

Referring in detail to the drawing, the numeral 1 indicates a fragmentary portion of a pen, 2 a cap therefor which includes therein a guard member 3 for the pen point 4. These parts are shown to show the application and use of the present invention. However, it is to be understood that this invention can also be readily adapted to a pencil.

The cap 2 is provided with pairs of slots 5 and 6 and an opening 7. A clip arm 8 has formed thereon tongues 9 adapted to be inserted through the openings 5 and bent or clinched against the inner wall of the cap, as clearly shown in Figure 4, thereby anchoring the clip arm 8 on the cap. The clip arm is used to slip over the outer wall 10 of a pocket 11. The anchored end of the clip arm is extended a limited distance beyond the tongues and tapered, as shown at 12. The tapered end 12 is spaced a limited distance away from the wall of the cap.

An elongated plate 13 has secured thereto a pin 14 which is adapted to extend through the opening 7 of the cap and through an opening 15

formed in the clip arm 8. A curved spring member 16 is formed on one end of the plate 13 and the free end thereof bears against the cap shown in Figure 2. A cutter 17 is formed on the plate adjacent the spring member 16 and extends through one of the slots 6 having its cutting end positioned a limited distance from the tapered end 12 of the clip arm. Formed on the other end of the plate 13 is a clip lock element 18 which extends through the other slot 6 and engages the outer wall of the pocket to force the outer wall of said pocket tightly against the clip arm and thereby prevent the pen from becoming accidentally displaced from the pocket. The spring element 16 urges the plate in the direction of the slots so that an efficient gripping action will be had between the clip lock element 18 and the clip arm 8 and also positions the cutter so that an envelope placed under the tapered end 12 of the clip arm can be brought into engagement with the cutter and moved relative thereto for the opening or severance of the envelope.

To free the clip lock to permit the pen to be removed from the pocket it is only necessary to press upon the pin 14 which moves the plate 13 away from the slots 6 drawing the clip lock element 18 and cutter 17 inwardly of the cap which besides freeing the clip arm from the pocket also will withdraw the cutter from the envelope.

What is claimed is:

1. A device of the character described, comprising, a hollow member fashioned with slots and having an opening, an arm associated with said member and having tongues formed thereon extending through certain of said slots and clinched against the inner wall of said member, a finger piece slidable in said opening and extending into said member, said arm having an opening to receive the finger piece, a plate secured on the finger piece within said member, spring means acting on the plate and normally urging the latter towards said arm, said plate fashioned with a section movable through one of said slots for cooperation with said arm in penetrating an envelope to effect opening of the envelope when said arm is moved into engagement with said section and said envelope is drawn between said arm and member.

2. A device of the character described, comprising, a hollow member fashioned with a slot and having an opening, an arm provided with a blade engaging section and formed with tongues secured to said member and spacing said section from the latter, a finger piece slidable in said

opening and extending into said member, said arm having an opening to receive the finger piece, a plate secured on the finger piece within said member, spring means acting on the plate and normally urging the latter towards said section, said plate fashioned with a cutting blade movable through said slot for cooperation with said section in penetrating an envelope to effect opening of the envelope when said section is moved into engagement with said blade and said envelope is drawn between said arm and member.

3. In an envelope opener having a support member, an arm secured to said member and having a portion spaced from the latter, a spring pressed member carried by said support member and equipped with a section having a cutting edge disposed between said arm and said support member, said cutting edge operable for penetrating an envelope interposed between said support member and said arm to permit said envelope to be drawn between said arm and support member to effect a slitting thereof by said cutting edge.

4. In an envelope opener having a support member, an arm secured to said member and having a portion spaced from the latter, a spring pressed member carried by said support member and equipped with a section having a cutting edge disposed between said arm and said support member, said cutting edge operable for penetrating an envelope interposed between said support

member and said arm to permit said envelope to be drawn between said arm and support member to effect a slitting thereof by said cutting edge, and means for moving said cutting edge away from said arm for the introduction of an envelope.

5. In an envelope opener, a support member, an arm secured to said support member, said support member and said arm having spaced facing surfaces, a member having a cutting edge disposed between said surfaces, said cutting edge being operable for penetrating an envelope interposed between said surfaces to permit said envelope to be drawn between said surfaces, and means for forcing said cutting edge toward one of said surfaces into cutting relation to such envelope to effect a slitting thereof.

6. In an envelope opener, a support member, an arm secured to said support member, said support member and said arm having spaced facing surfaces, a member having a cutting edge disposed between said surfaces, said cutting edge being operable for penetrating an envelope interposed between said surfaces to permit said envelope to be drawn between said surfaces, means for forcing said cutting edge toward one of said surfaces into cutting relation to such envelope to effect a slitting thereof, and means for moving said cutting edge into position for the introduction of an envelope.

ANTHONY G. ROSA.